

8

7

6

5

4

3

2

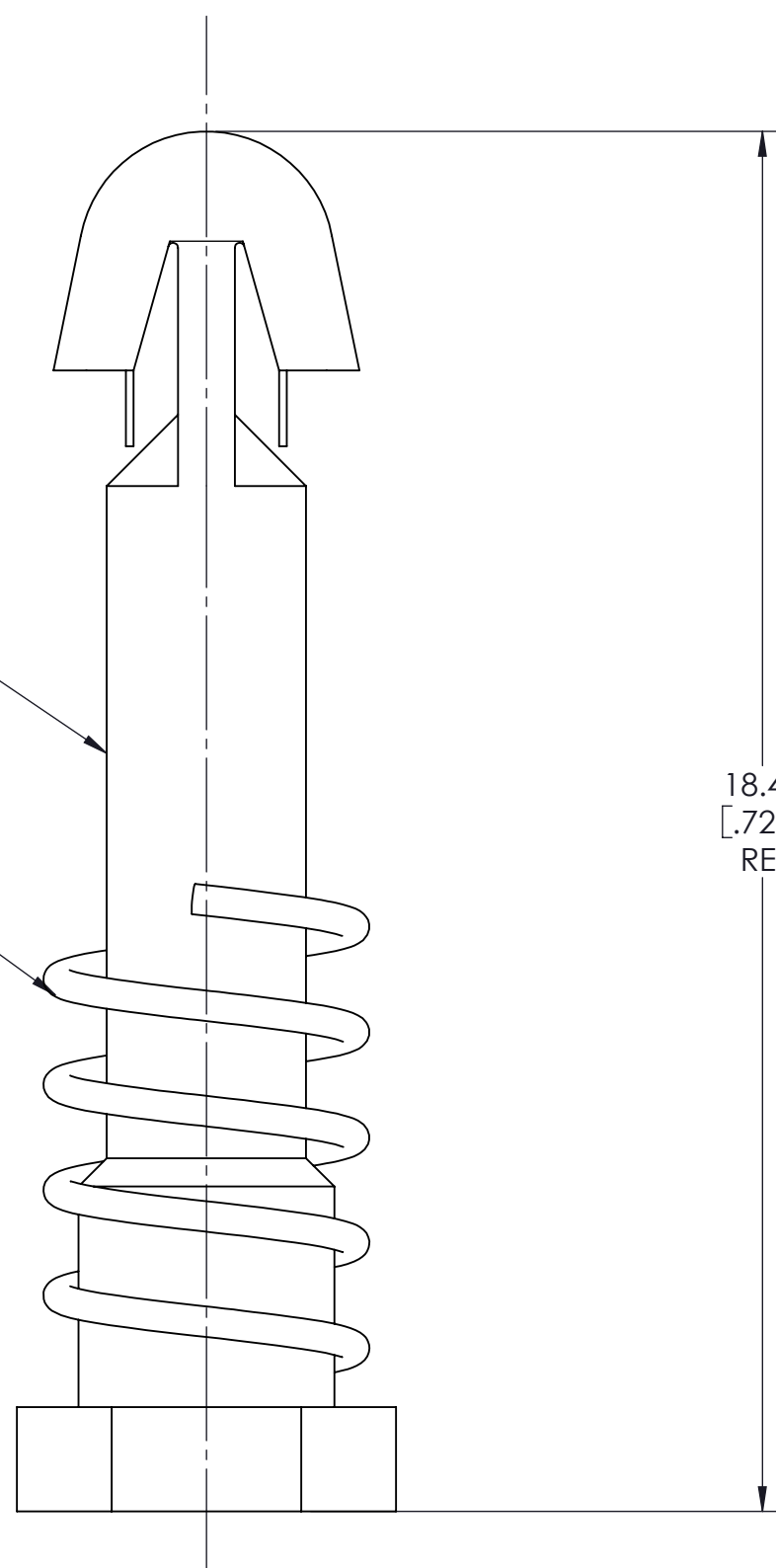
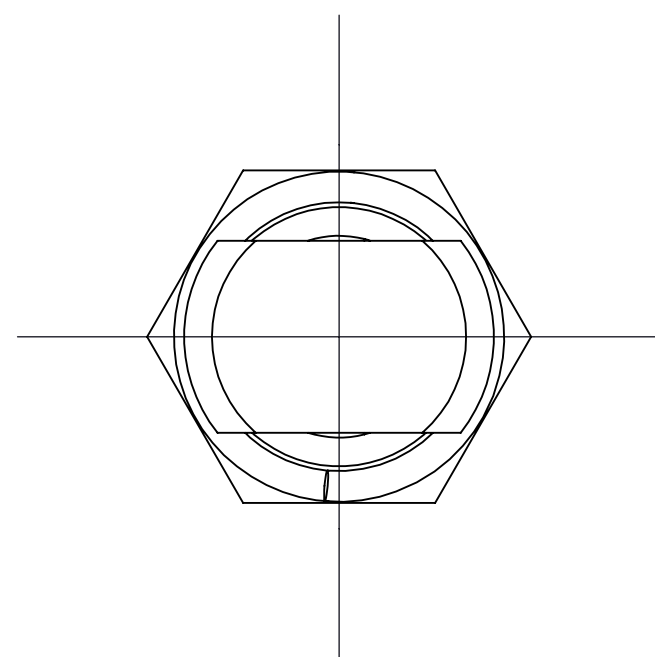
1

VICOR CONFIDENTIAL

THIS DOCUMENT AND THE DATA DISCLOSED HEREIN OR HEREWITH IS NOT TO BE REPRODUCED, USED OR DISCLOSED IN WHOLE OR IN PART TO ANYONE WITHOUT THE PERMISSION OF VICOR CORP.

REVISIONS

REV	DESCRIPTION	DATE	APPROVED
1	RELEASED PER E071774	JS 08/15/07	REJH
2	REVISED PER E100991	KUK 08/10/10	DCS



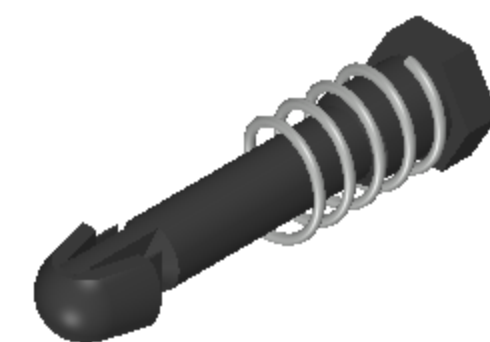
SEE NOTE 1



SPRING RATE = 1.6 N/MM [9 LB/IN]



18.49  
[.728]  
REF



NOTES:

1. FOR A LIST OF PARTS SEE BOM NO. 33623
2. ITEM 1 IS BLACK.
3. RoHS COMPLIANT PER CST-0001 LATEST REVISION.

DRAWN	DATE					
R.E.J.HICKEY	03/14/07					
<small>UNLESS OTHERWISE SPECIFIED DIMENSIONS ARE MM [INCH] TOLERANCES ARE: DECIMALS ANGLES X.XX [X.X] = ±0.01 [0.25] ±1° X.XXX [X.XX] = ±0.005 [0.127]</small>		<b>ASSY DWG BLACK PIN VIC JLEAD PUSH PIN (18.5 MM)</b>				
MATERIAL	FINISH	THIRD ANGLE PROJECTION	SIZE	CAGE CODE	DWG NO	REV
			<b>C</b>	<b>67131</b>	<b>33628</b>	<b>2</b>
DO NOT SCALE DRAWING			SCALE 10 : 1	SHEET 1 OF 1		

8

7

6

5

4

3

2

1